

1700, Setlakwe Street
 Theford Mines (QC) G6G 8B2
 CANADA
 www.technometalpost.com

CONFIDENTIAL

THE INFORMATIONS CONTAINED
 IN THIS DRAWING IS THE SOLE
 PROPERTY OF TECHNO METAL POST INC.
 ANY REPRODUCTION IN PART OR
 AS A WHOLE WITHOUT THE WRITTEN
 PERMISSION OF TECHNO METAL POST INC.
 IS PROHIBITED

REVISIONS

DATE	DESCRIPTION	REV.
2021/01/13	GENERAL REVIEW	1

Client :

Client address :

Project :

Drawing :

CONCRETE SLAB

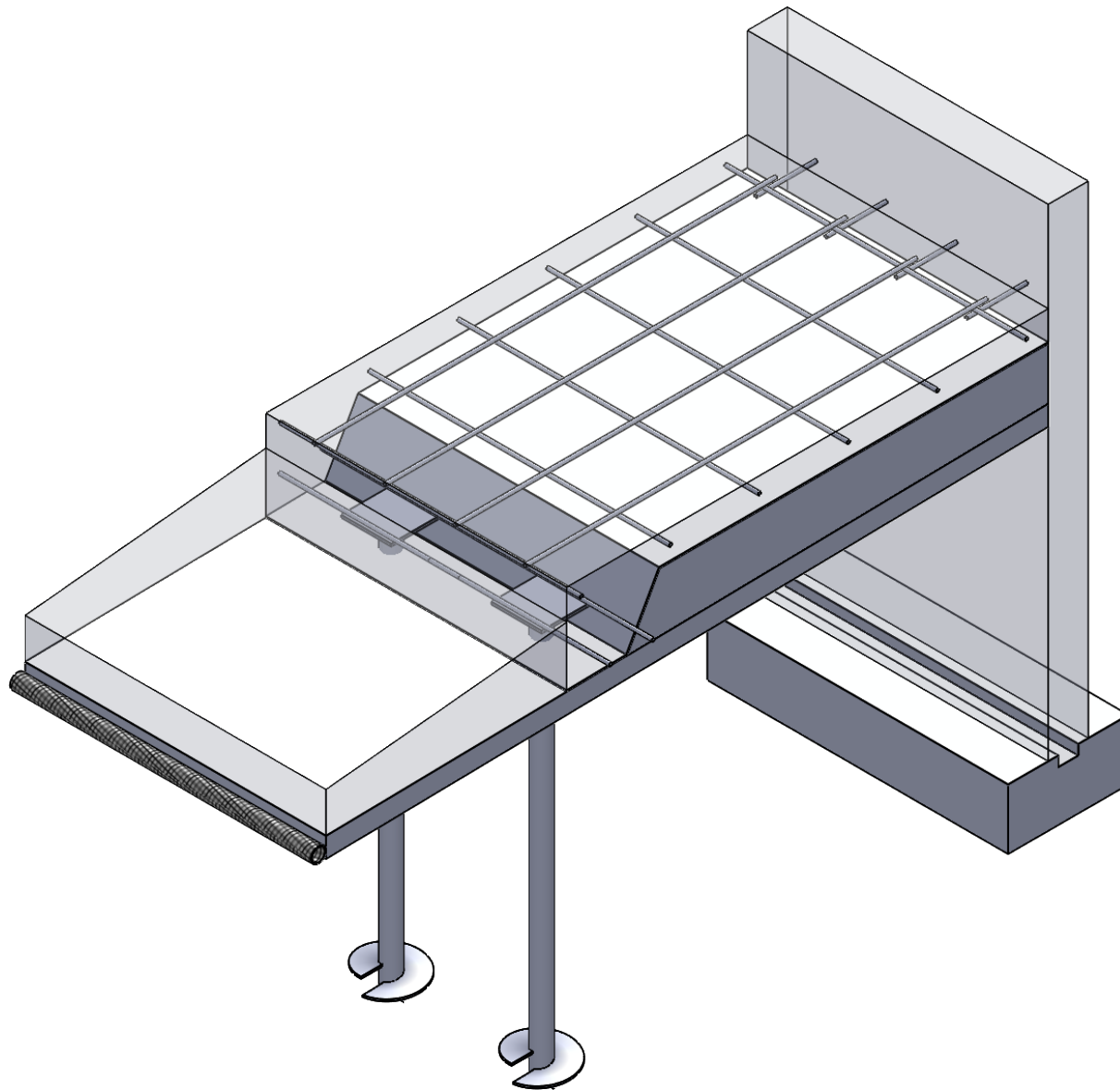
Approved by :

Date :
2011/10/17

Scale :
N/A

Drawing no:
FON-DAL-GAR-R1-A

Page number :
SHEET 1 OF 2



CONFIDENTIAL
 THE INFORMATIONS CONTAINED
 IN THIS DRAWING IS THE SOLE
 PROPERTY OF TECHNO METAL POST INC.
 ANY REPRODUCTION IN PART OR
 AS A WHOLE WITHOUT THE WRITTEN
 PERMISSION OF TECHNO METAL POST INC.
 IS PROHIBITED

REVISIONS

DATE	DESCRIPTION	REV.
2021/01/13	GENERAL REVIEW	1

Client :

Client address :

**NOT FOR
 CONSTRUCTION**

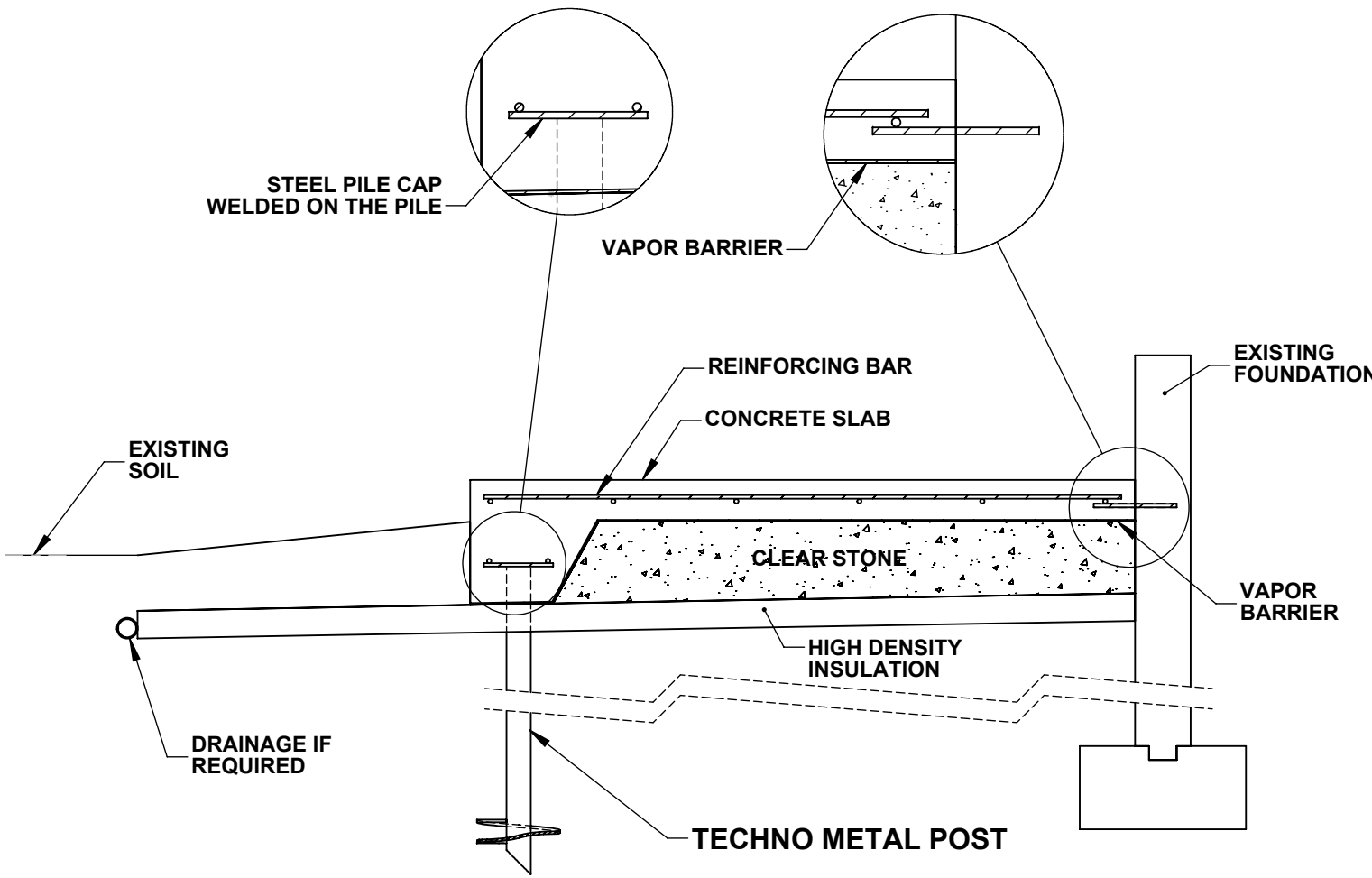
Project :

Drawing :
CONCRETE SLAB

Approved by :

Date : 2011/10/17 Scale : N/A

Drawing no: FON-DAL-GAR-R1-A Page number : SHEET 2 OF 2



NOTE: BE AWARE THAT IT IS YOUR RESPONSIBILITY TO ADEQUATELY PROTECT THE CONCRETE SLAB ON GROUND AGAINST FREEZING AND IT IS IMPORTANT TO DRAIN THE CONCRETE SLAB, IN ORDER TO AVOID ANY MOVEMENT OF RISING (CONCRETE SLAB AND THE TECHNO MEAL POST) DURING THE PERIOD OF FREEZING-THAWING WINTER.